



C- Switch



Momentary illuminated pushbutton

- Avionic application
- Customizable legends, colors and tactile feeling
- Fail-safe LED circuit
- PCB mounting

Mechanical characteristics:

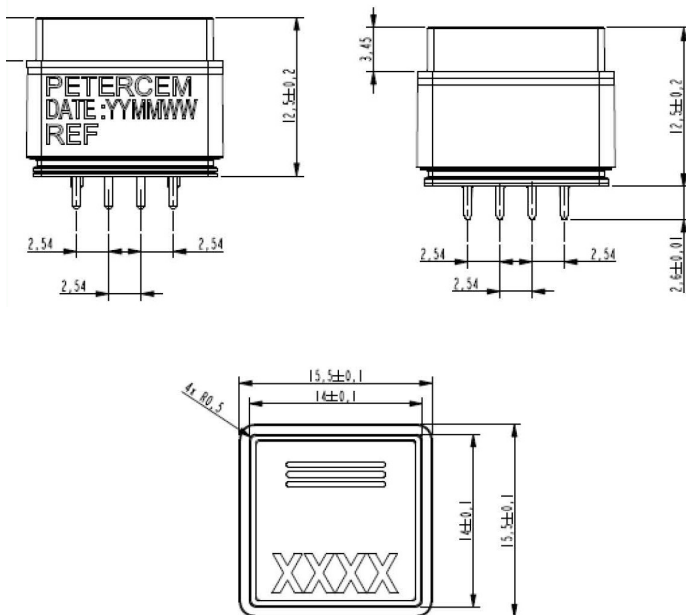
- Front face : 14x 14 mm
- Operating temperature: - 40°C to + 71°C (- 40°F to + 160°F)
- Mechanical life : > 100 000 cycles under a load of 28 V/ 10 mA
- Actuation force : 6 +/-1 N
- Switch total travel : 4 mm +/-1

Standards:

- MIL-PRF-22885
- MIL-STD-3009
- RoHs
- REACH

Mounting:

Designed for PCB mounting



Electrical characteristics:

Indicator

- Full face or with horizontal split
- Backlighted legend or annunciator
- Markings and colors on demand
- Dimmable with PWM source
- Fail-Safe: if one LED fails the others remain on

Switch

- 1 or 2 poles, normally open
- Gold plated contacts
- Rated voltage: 28 VDC nominal
- Switching current (resistive) : 1 mA min – 500 mA max
- Contact resistance: < 25 mΩ
- Insulation resistance (500 VDC) : ≥ 1 GΩ